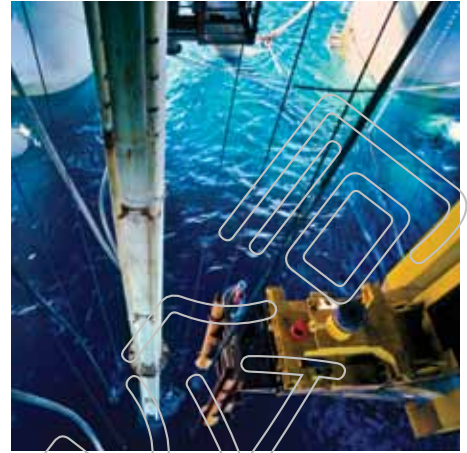


Offshore Desalinators SW Series

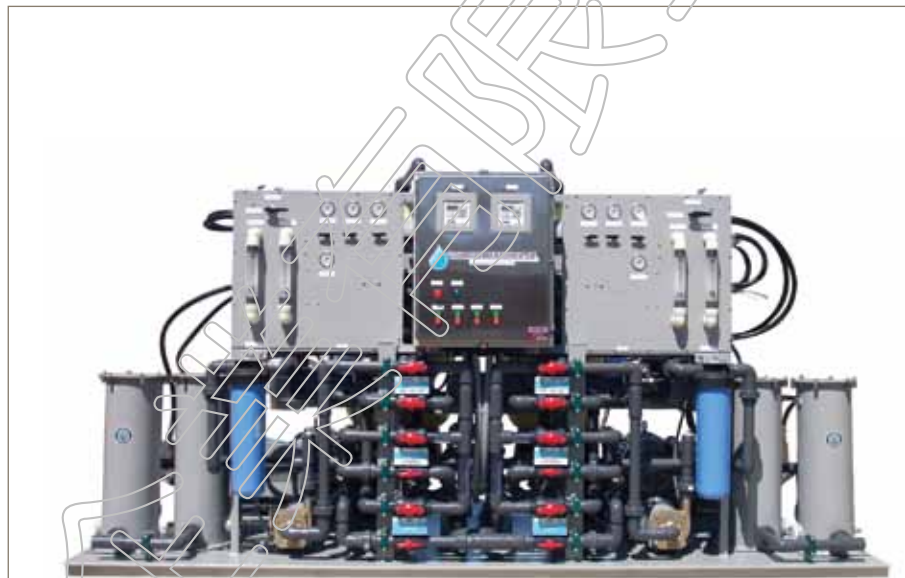
SW-24, SW-32, SW-40
(91, 120, 151 m³/day)



For Offshore Rigs and Work Camps Applications

The SW Series RO desalination systems are designed for rugged use in harsh environments where a large quantity of potable water is required. Typical installations are offshore rigs, work camps, oceanfront resorts, or cruise ships.

Each SW unit comprises a single skid installation with two complete, independent RO systems. The two trains can run simultaneously or can be operated on a duty/stand-by basis.



SW-32

Contact Information:

Parker Hannifin Corporation
Racor Division/Village Marine Tec.
2000 W. 135th St.
Gardena, CA 90249

phone 310 516 9911
fax 310 538 3048
racor@parker.com
www.villagemarine.com

www.parker.com/racor



Aqua Pro[®] Pump-5P50

Key Feature:

At the core of each SW series watermaker is the Aqua Pro[®] 5 plunger high pressure pump:

- Titanium head for maximum corrosion resistance.
- Balanced drive for lowest noise and pulsation.
- Ceramic Plungers and nylon valves for long service life.

ENGINEERING YOUR SUCCESS.

Offshore Desalinators

SW Series

SW-24, SW-32, SW-40
(91, 120, 151 m³/day)

Model	Product Flow*		Power at 440/3/60	Skid Size	Operating Weight
	GPD	m ³ /day			
SW 24	24000	91	60 Amps	142" long	6950 lbs
SW 32	32000	120	60 Amps	72" deep	7300 lbs
SW 40	40000	151	70 Amps	78" high	7500 lbs

Standard Features:

- Single drop skid with two complete watermaker trains including media filter with back wash and rinse
- 316 SS pre-filtration housings deliver 200 sq. ft. of filtering area per train
- Nickel-aluminum-bronze low pressure pumps drive seawater through the filtration system
- All 316 SS high pressure piping, with titanium fittings where appropriate. Low pressure piping is PVC80 or, optionally, GRE for extra strength
- Full instrumentation including liquid-filled pressure gauges, acrylic flowmeters, digital conductivity meter and hour-meter
- Valving to allow simple start-up pressure control, flushing, or clean in place recirculation for membrane cleaning
- Automatic diversion valves direct product water to discharge if water quality drops below acceptable standards

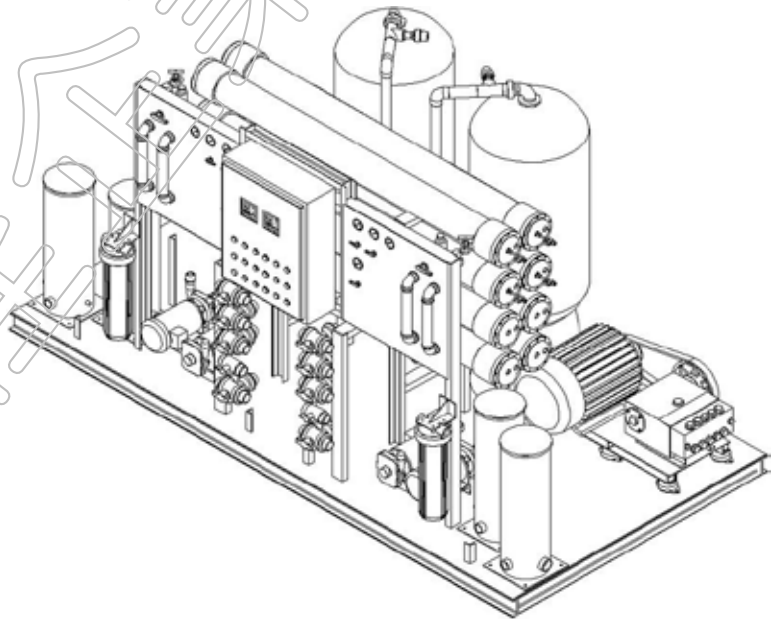
* Product flow based on median seawater conditions, both trains running.



SW Series (back side view)



SW Series (right side view)



To maintain peak performance always use genuine Parker-Racor/Village Marine Tec. replacement parts. We reserve the right to change our specifications or standards without notice.

© 2009 Parker Hannifin Corporation

Print Reorder Number 7832 Rev- 11-23-2009



ENGINEERING YOUR SUCCESS.