

CSM Coolant Heating System

The Hotstart® CSM is a complete coolant preheater with thermostat, pump and all required controls. The CSM heats engines ranging in size from 15L-100L displacement. Forced circulation of the coolant delivers uniform heating throughout the entire engine, extends element life and offers a significant reduction in electrical consumption.

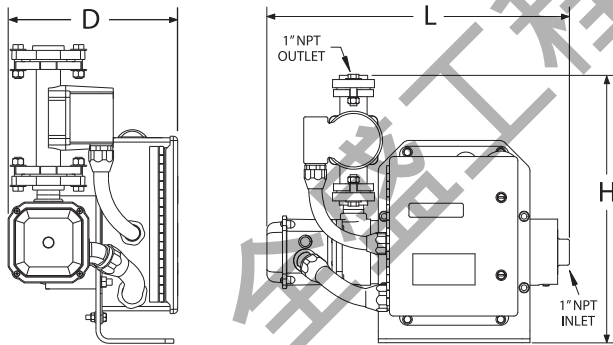
Application:

The CSM was developed to preheat diesel and gas engines for stationary land power, marine, large mining and construction equipment.



Specifications:

- Heating Fluid: Engine coolant (50% glycol/50% water)
- Power: 3, 6, 9 and 12 kW
- Rated Voltage: 1 or 3 Phase
120... 690 Volt (50 or 60Hz)
- Tank Material: Aluminum
- Adjustable T-Stat: 90° - 130°F (32° - 55°C)
Pre-set at 110°F (43.5°C)
- Ingress Protection: IP44 (50Hz), NEMA 2 (60Hz)
- Fluid Capacity: .6 gl (2.19L)
- Pump Power: 1/25HP (30W)
- Flow: 10GPM (2.2 m³/hr) @ 10ft head (.3 bar)
- Max Pressure: 125PSI (8.61 bar)
- Pressure Loss: .22PSI (.015 bar)
- 1" NPT Inlet, 1" NPT Outlet



Dimensions & Weight			
Phase		1~ (less than 50 amps)	All Others
Height (H)	In (mm)	15.2 (386)	17.2 (437)
Length (L)	In (mm)	19.4 (493)	19.4 (493)
Depth (D)	In (mm)	9.8 (249)	9.8 (249)
Weight	lbs (kg)	37 (16.8)	54 (24.5)

Features:

- UL-C/US listed - (60 Hz models) - E250789CE
- CE compliant (50 Hz models)
- Controls for automatic operation
- Compact design
- Easy to install



ISO 9001:2000

CSM Coolant Heating System



1Ø or 3Ø
Over 240V



1Ø
240V or Less

Model Numbers:

Engine Size CID	Engine Size Liter	Part Number	Wattage	Voltage	Phase	Hz	Amps
1000 to 2000	15-30	CSM10301-000	3000	120	1	60	27.0
		CSM10308-000	3000	208	1	60	16.4
		CSM1030C-000	3000	220	1	50	15.6
		CSM10302-000	3000	240	1	60	14.5
2000 to 3000	25-50	CSM10608-000	6000	208	1	60	30.8
		CSM1060C-000	6000	220	1	50	29.3
		CSM10602-000	6000	240	1	60	27.0
		CSM10604-000	6000	480	1	60	14.5
		CSM30603-000	6000	380	3	50	11.1
		CSM30604-000	6000	480	3	60	9.2
		CSM30605-000	6000	575	3	60	6.0
3000 to 4500	50-75	CSM10908-000	9000	208	1	60	45.3
		CSM1090C-000	9000	220	1	50	42.9
		CSM10902-000	9000	240	1	60	39.5
		CSM10904-000	9000	480	1	60	20.8
		CSM30903-000	9000	380	3	50	15.7
		CSM30904-000	9000	480	3	60	12.8
4500 to 6000	75-100	CSM11202-000	12000	240	1	60	52.0
		CSM11204-000	12000	480	1	60	27.0
		CSM31203-000	12000	380	3	50	20.3
		CSM31204-000	12000	480	3	60	16.5

Other voltages available. Consult the factory.



ISO 9001:2000

Kim Hotstart Manufacturing Company

www.kimhotstart.com

Customer Support (509) 536-8660

高雄市前鎮區新福路7號
No.7 Shin Fu Road
Chien Chen District Kaohsiung, Taiwan R.O.C

全盛工程企業有限公司
D.C. OTTO Industrial Development Co., Ltd.

TEL:886-7-8132200
FAX:886-7-8136622